

TIMKEN**The Timken Company**

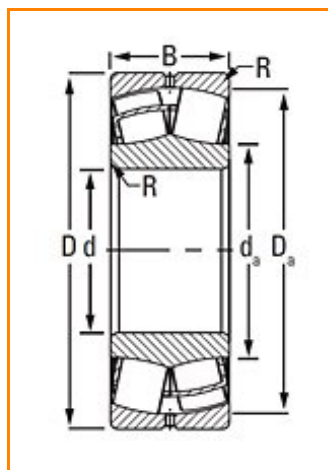
4500 Mt Pleasant St. NW

N. Canton, OH 44720

Phone: (234) 262-3000**E-Mail:** CustomerCAD@timken.com • **Web site:** www.timken.com

Timken Part Number 22217KEJW33C3, Spherical Roller Bearings - Steel Cage

Spherical bearings are designed to manage high radial loads even when misalignment, poor lubrication, contamination, extreme speeds or critical application stresses are present.



[Specifications](#) | [Dimensions](#) | [Abutment and Fillet Dimensions](#) | [Basic Load Ratings](#) | [Factors](#)

Specifications

Design Unit	METRIC
Bore Taper	1/12
Bearing Weight	2.600 Kg 5.60 lb
Cage Type	EJ
UPC Code	87796023482
Cage Material	Steel
Superseded Part	22217KCJW33C3

Dimensions

d - Bore	85.000 mm 3.3465 in
D - Outer Diameter	150.000 mm 5.9055 in
B' - Inner Ring Width	36 mm 1.4173 in
B - Outer Ring Width	36.000 mm 1.4173 in

Abutment and Fillet Dimensions

R - Inner Ring "To Clear" Radius¹	2.000 mm 0.080 in
r - Outer Ring "To Clear" Radius²	2.000 mm 0.080 in
da - Inner Ring Backing Diameter	101.000 mm 4.000 in
Da - Outer Ring Backing Diameter	139.000 mm 5.500 in

Basic Load Ratings

C0 - Static Radial Rating	320000 N 71900 lbf
C1(2) - Dynamic Radial Rating (Two-Rows)	297000 N 66900 lbf

Factors

e - ISO Factor³	0.22
Y0 - ISO Factor⁴	3.07

Y1 - ISO Factor⁵	4.57
Y2 - ISO Factor⁶	3
Reference Thermal Speed Rating (Grease)	3400
Reference Thermal Speed Rating (Oil)⁷	4200
Cg - Geometry Factor⁸	0.0595

¹ Maximum housing fillet radius that bearing corners will clear.

² Maximum shaft fillet radius that bearing corners will clear.

³ These factors apply for both inch and metric calculations. Consult your Timken representative for instruction on use.

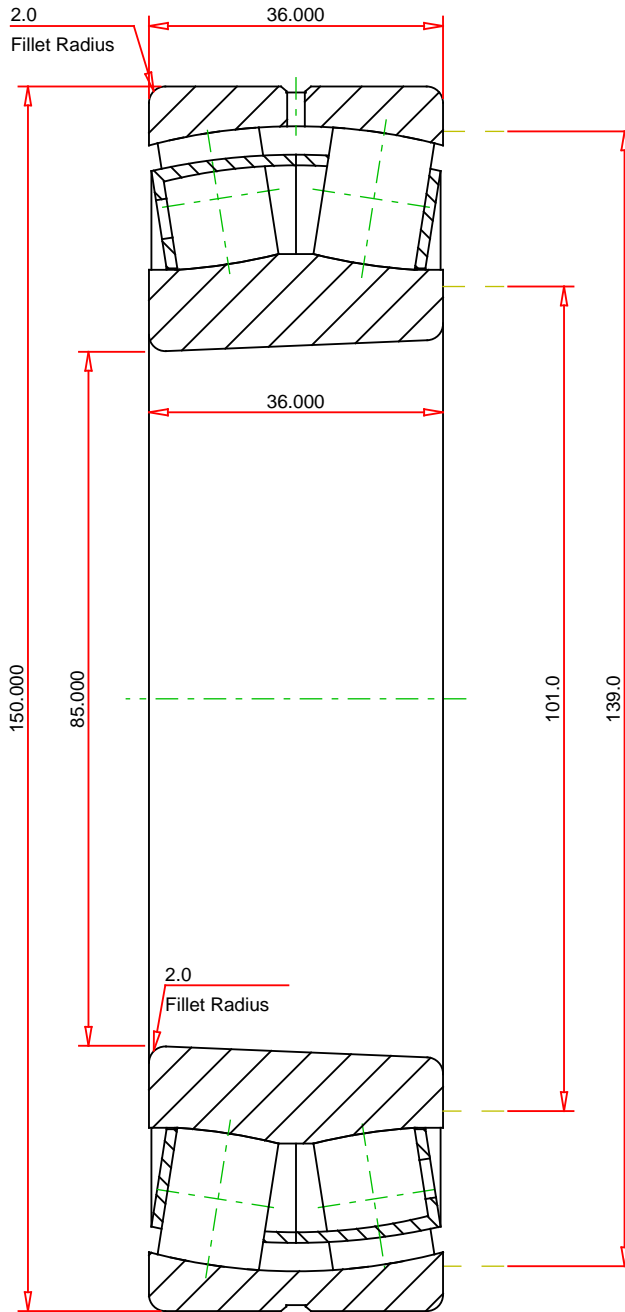
⁴ These factors apply for both inch and metric calculations. See engineering

⁵ These factors apply for both inch and metric calculations. Consult your Timken representative for instruction on use.

⁶ These factors apply for both inch and metric calculations. Consult your Timken representative for instruction on use.

⁷ See thermal speed ratings in the engineering section.

⁸ Geometry constant for Lubrication Life Adjustment Factor a3l.



METRIC UNITS

Number of Rollers Per Row	17
ISO Factor e	0.22
ISO Factor Y0	3.07
ISO Factor Y1	4.57
ISO Factor Y2	3.00
Bearing Weight	2.6 kg
Cage Type	EJ
Cage Material	Steel
Bore Taper	1/12

TIMKEN®

THE TIMKEN COMPANY
NORTH CANTON, OHIO USA

22217KEJW33C3	
SRB ASSEMBLY	
Dynamic Radial Rating (Two Rows)	297000 N
Static Radial Rating	320000 N

Every reasonable effort has been made to ensure the accuracy of the information contained in this writing, but no liability is accepted for errors, omissions or for any other reason.

FOR DISCUSSION ONLY