

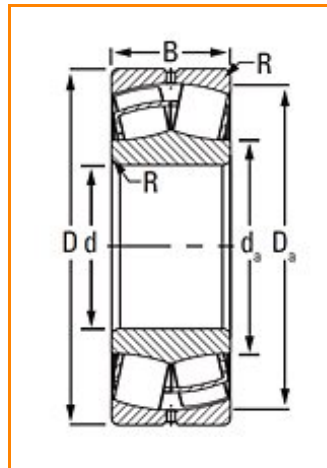
**TIMKEN****The Timken Company**

4500 Mt Pleasant St. NW

N. Canton, OH 44720

**Phone:** (234) 262-3000**E-Mail:** [CustomerCAD@timken.com](mailto:CustomerCAD@timken.com) • **Web site:** [www.timken.com](http://www.timken.com)**Timken Part Number 22317KEJW33C3, Spherical Roller Bearings - Steel Cage**

Spherical bearings are designed to manage high radial loads even when misalignment, poor lubrication, contamination, extreme speeds or critical application stresses are present.



[Specifications](#) | [Dimensions](#) | [Abutment and Fillet Dimensions](#) | [Basic Load Ratings](#) | [Factors](#)

**Specifications**

<b>Design Unit</b>	METRIC
<b>Bore Taper</b>	1/12
<b>Bearing Weight</b>	7.500 Kg 16.500 lb
<b>Cage Type</b>	EJ
<b>UPC Code</b>	87796026742
<b>Cage Material</b>	Steel
<b>Superseded Part</b>	22317KCJW33C3

**Dimensions**

<b>d - Bore</b>	85.000 mm 3.3465 in
<b>D - Outer Diameter</b>	180.000 mm 7.0866 in
<b>B' - Inner Ring Width</b>	60 mm 2.3622 in
<b>B - Outer Ring Width</b>	60.000 mm 2.3622 in

### Abutment and Fillet Dimensions

<b>R - Inner Ring "To Clear" Radius<sup>1</sup></b>	2.500 mm 0.100 in
<b>r - Outer Ring "To Clear" Radius<sup>2</sup></b>	2.500 mm 0.100 in
<b>da - Inner Ring Backing Diameter</b>	110.000 mm 4.300 in
<b>Da - Outer Ring Backing Diameter</b>	162.000 mm 6.400 in

### Basic Load Ratings

<b>C0 - Static Radial Rating</b>	584000 N 131000 lbf
<b>C1(2) - Dynamic Radial Rating (Two-Rows)</b>	543000 N 122000 lbf

### Factors

<b>e - ISO Factor<sup>3</sup></b>	0.32
<b>Y0 - ISO Factor<sup>4</sup></b>	2.11

<b>Y1 - ISO Factor<sup>5</sup></b>	3.14
<b>Y2 - ISO Factor<sup>6</sup></b>	2.06
<b>Reference Thermal Speed Rating (Grease)</b>	3000
<b>Reference Thermal Speed Rating (Oil)<sup>7</sup></b>	3500
<b>Cg - Geometry Factor<sup>8</sup></b>	0.0662

<sup>1</sup> Maximum housing fillet radius that bearing corners will clear.

<sup>2</sup> Maximum shaft fillet radius that bearing corners will clear.

<sup>3</sup> These factors apply for both inch and metric calculations. Consult your Timken representative for instruction on use.

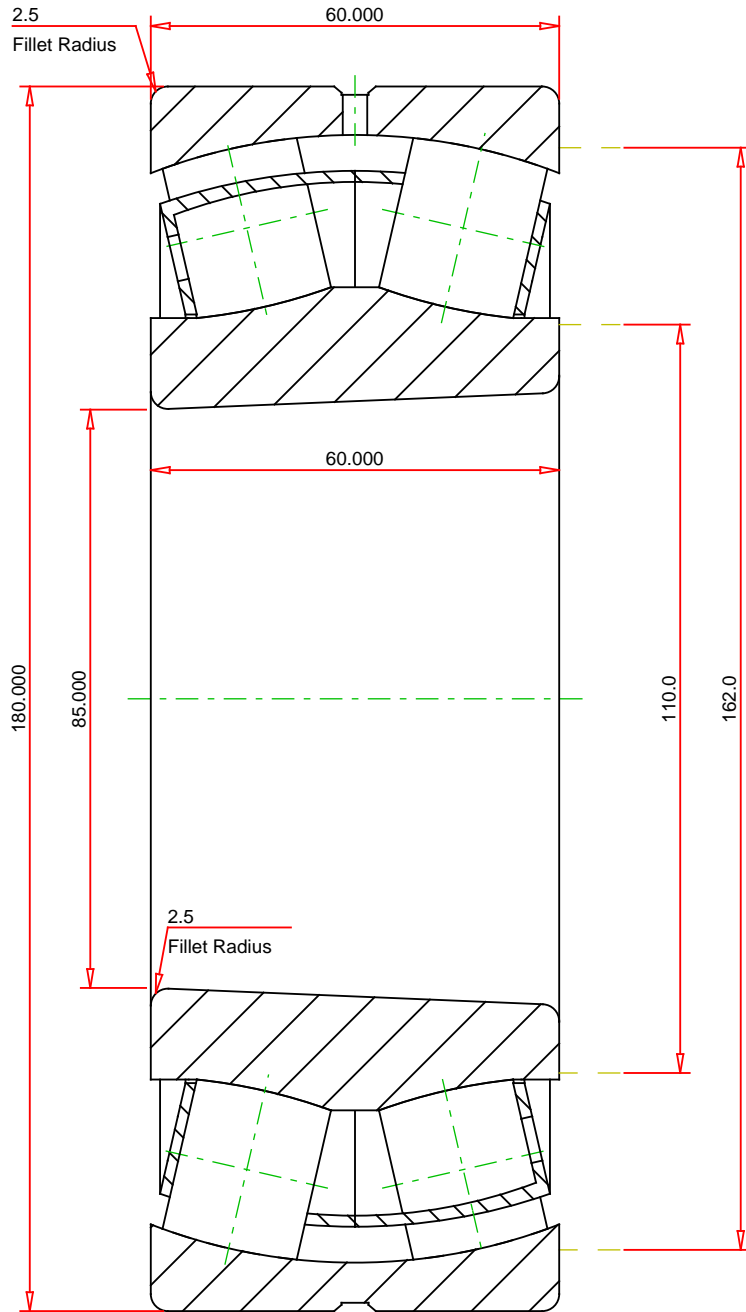
<sup>4</sup> These factors apply for both inch and metric calculations. See engineering

<sup>5</sup> These factors apply for both inch and metric calculations. Consult your Timken representative for instruction on use.

<sup>6</sup> These factors apply for both inch and metric calculations. Consult your Timken representative for instruction on use.

<sup>7</sup> See thermal speed ratings in the engineering section.

<sup>8</sup> Geometry constant for Lubrication Life Adjustment Factor a3l.



METRIC UNITS

Number of Rollers Per Row	16
ISO Factor e	0.32
ISO Factor Y0	2.11
ISO Factor Y1	3.14
ISO Factor Y2	2.06
Bearing Weight	7.5 kg
Cage Type	EJ
Cage Material	Steel
Bore Taper	1/12



22317KEJW33C3  
SRB ASSEMBLY

THE TIMKEN COMPANY  
NORTH CANTON, OHIO USA

Dynamic Radial Rating (Two Rows)	543000	N
Static Radial Rating	584000	N

Every reasonable effort has been made to ensure the accuracy of the information contained in this writing, but no liability is accepted for errors, omissions or for any other reason.

FOR DISCUSSION ONLY