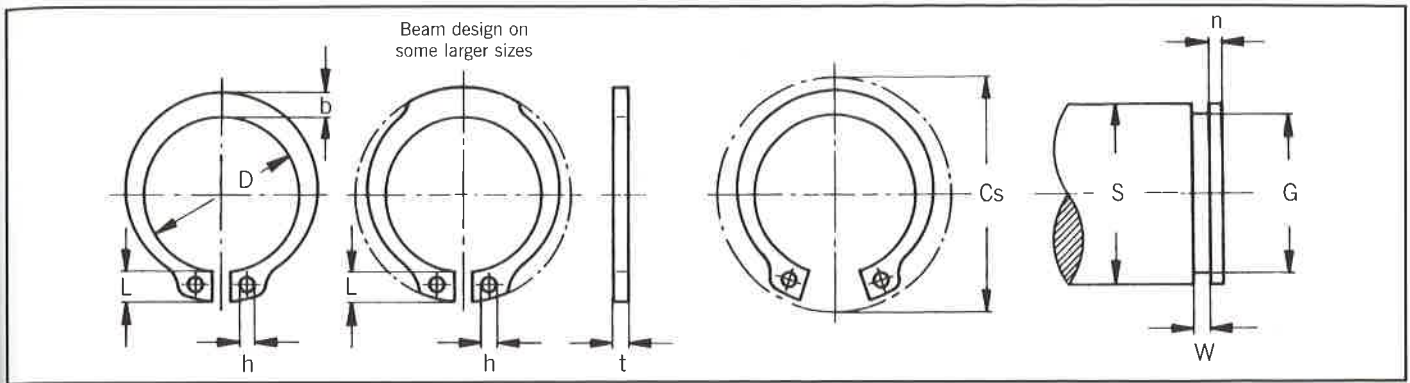


Heavy Duty External Circlips



DIN 471 Table 2

Code No.	Shaft S mm	Circlip Dimensions										Groove Dimensions					Code No.
		t mm	Tol mm	D mm	Tol mm	Cs mm	b mm	L mm	h mm	Fr kN	G mm	Tol mm	W mm	Tol mm	n mm	Fn kN	
D1460/0120	12	1.50		11.0		19.3	1.8	3.4	1.7	11.3	11.5		1.60		0.7	1.53	D1460/0120
D1460/0150	15	1.50		13.8		25.1	2.0	4.8	2.0	15.5	14.3		1.60		1.1	2.66	D1460/0150
D1460/0160	16	1.50		14.7	+0.10	26.5	2.5	5.0	2.0	16.6	15.2	+0.00	1.60		1.2	3.26	D1460/0160
D1460/0170	17	1.50		15.7	-0.36	27.5	2.6	5.0	2.0	18.0	16.2	-0.11	1.60		1.5	3.46	D1460/0170
D1460/0180	18	1.50	+0.00	16.5		28.7	2.7	5.1	2.0	26.6	17.0		1.60		1.5	4.85	D1460/0180
D1460/0190	19	1.50	-0.06	17.5	+0.13	29.9	2.5	5.2	2.0	26.6	17.8		1.60		1.8	5.78	D1460/0190
D1460/0200	20	1.75		18.5	-0.42	31.5	3.0	5.5	2.0	36.3	19.0	+0.00	1.85		1.5	5.06	D1460/0200
D1460/0220	22	1.75		20.5		34.5	3.1	6.0	2.0	36.0	21.0	-0.15	1.85		1.5	5.65	D1460/0220
D1460/0230	23	1.75		21.3		35.7	3.2	6.1	2.0	35.2	21.8		1.85		1.8	7.04	D1460/0230
D1460/0240	24	1.75		22.2		37.1	3.2	6.3	2.0	34.2	22.9		1.85		1.7	6.75	D1460/0240
D1460/0250	25	2.00		23.2		38.3	3.4	6.4	2.0	45.0	23.9		2.15		1.7	7.05	D1460/0250
D1460/0260	26	2.00		23.6	+0.21	39.7	3.3	6.6	2.0	44.0	24.4		2.15		2.4	10.70	D1460/0260
D1460/0270	27	2.00		24.7	-0.42	40.5	3.4	6.5	2.0	45.5	25.6	+0.00	2.15		2.3	9.60	D1460/0270
D1460/0280	28	2.00		25.9		41.5	3.5	6.5	2.0	57.0	26.6	-0.21	2.15		2.1	10.00	D1460/0280
D1460/0290	29	2.00		26.9		42.5	3.8	6.5	2.0	56.5	27.6		2.15		2.1	10.40	D1460/0290
D1460/0300	30	2.00		27.9		43.5	4.1	6.5	2.0	57.0	28.6		2.15		2.1	10.70	D1460/0300
D1460/0320	32	2.00		29.6		45.5	4.1	6.5	2.5	55.5	30.3		2.15		2.6	13.80	D1460/0320
D1460/0330	33	2.00	+0.00	30.5		46.9	4.0	6.7	2.5	56.0	31.3		2.15	+0.14	2.5	14.30	D1460/0330
D1460/0340	34	2.50	-0.07	31.5	+0.25	47.9	4.2	6.6	2.5	87.0	32.3		2.65	-0.00	2.6	14.70	D1460/0340
D1460/0350	35	2.50		32.2	-0.50	48.9	4.2	6.7	2.5	86.0	33.0		2.65		3.0	17.80	D1460/0350
D1460/0360	36	2.50		33.0		49.9	4.2	6.7	2.5	101.0	34.0		2.65		3.3	18.30	D1460/0360
D1460/0380	38	2.50		35.2		52.1	4.3	6.8	2.5	101.0	36.0	+0.00	2.65		3.0	19.30	D1460/0380
D1460/0400	40	2.50		36.5		55.0	4.4	7.0	2.5	104.0	37.5	-0.25	2.65		3.8	25.30	D1460/0400
D1460/0420	42	2.50		38.5		57.4	4.5	7.2	2.5	102.0	39.5		2.65		3.8	26.70	D1460/0420
D1460/0450	45	2.50		41.5	+0.39	61.0	4.7	7.5	2.5	100.0	42.5		2.65		3.8	28.60	D1460/0450
D1460/0480	48	2.50		44.5	-0.90	64.6	5.0	7.8	2.5	101.0	45.5		2.65		3.8	30.70	D1460/0480
D1460/0500	50	3.00		45.8		67.0	5.1	8.0	2.5	165.0	47.0		3.15		4.5	38.20	D1460/0500
D1460/0520	52	3.00	+0.00	47.8		69.4	5.2	8.2	2.5	165.0	49.0		3.15		4.5	39.70	D1460/0520
D1460/0550	55	3.00	-0.08	50.8		73.0	5.4	8.5	2.5	161.0	52.0		3.15		4.5	42.00	D1460/0550
D1460/0580	58	3.00		53.8		76.6	5.6	8.8	2.5	160.0	55.0		3.15		4.5	44.30	D1460/0580
D1460/0600	60	3.00		55.8		79.0	5.8	9.0	2.5	156.0	57.0	+0.00	3.15		4.5	46.00	D1460/0600
D1460/0650	65	4.00		60.8	+0.46	84.6	6.3	9.3	3.0	346.0	62.0	-0.30	4.15		4.5	49.80	D1460/0650
D1460/0700	70	4.00		65.5	-1.10	90.0	6.6	9.5	3.0	343.0	67.0		4.15		4.5	53.80	D1460/0700
D1460/0750	75	4.00		70.5		95.4	7.0	9.7	3.0	333.0	72.0		4.15		4.5	57.60	D1460/0750
D1460/0800	80	4.00	+0.00	74.5		100.6	7.4	9.8	3.0	328.0	76.5		4.15		5.3	71.60	D1460/0800
D1460/0850	85	4.00	-0.10	79.5		106.0	7.8	10.0	3.5	383.0	81.5		4.15		5.3	76.30	D1460/0850
D1460/0900	90	4.00		84.5	+0.54	111.4	8.2	10.2	3.5	386.0	86.5	+0.00	4.15		5.3	80.80	D1460/0900
D1460/0950	95	4.00		89.5	-1.30	116.6	8.6	10.3	3.5	378.0	91.5	-0.35	4.15		5.3	85.50	D1460/0950
D1460/1000	100	4.00		94.5		122.0	9.0	10.5	3.5	368.0	96.5		4.15		5.3	90.00	D1460/1000

American Specification

Code No.	Shaft S inch	Circlip Dimensions										Groove Dimensions					Code No.
		t inch	Tol inch	D inch	Tol inch	Cs inch	b inch	L inch	h inch	Fr (lb.f)	G inch	Tol inch	W inch	Tol inch	n inch	Fn (lb.f)	
N1460/0050	1/2	.050		.460		.75	.090	.124	.048	3500	.468	+0.001	.056		.048	450	N1460/0050
N1460/0059	.591	.050	+0.002	.543		.86	.104	.134	.048	4180	.555	-0.002	.056	+0.004	.054	600	N1460/0059
N1460/0062	5/8	.050	-0.002	.575	+0.005	.90	.106	.134	.048	4420	.588		.056	-0.000	.057	670	N1460/0062
N1460/0066	.669	.050		.616	-0.010	.94	.114	.134	.048	4730	.629	+0.001	.056		.060	750	N1460/0066
N1460/0075	3/4	.078		.689		1.12	.127	.185	.076	8270	.704	-0.003	.086		.069	975	N1460/0075
N1460/0087	7/8	.078		.804		1.25	.148	.185	.076	9650	.821		.086		.081	1330	N1460/0087
N1460/0098	63/64	.078		.906		1.36	.156	.185	.076	10800	.925		.086		.090	1670	N1460/0098
N1460/0098	1	.078		.906		1.37	.156	.185	.076	11000	.938		.086		.093	1750	N1460/0098
N1460/0106	1 1/16	.093		.978		1.52	.163	.225	.091	14000	.998		.103		.096	1920	N1460/0106
N1460/0112	1 1/8	.093	+0.003	1.036		1.58	.175	.225	.091	14800	1.059		.103	+0.005	.099	2100	N1460/0112
N1460/0118	1.181	.093	-0.003	1.087	+0.010	1.64	.176	.225	.091	15500	1.111	+0.002	.103	-0.000	1.05	2340	N1460/0118
N1460/0125	1 1/4	.093		1.150	-0.015	1.70	.185	.225	.091	16400	1.174	-0.004	.103		1.14	2690	N1460/0125
N1460/0131	1 5/16	.093		1.208		1.77	.196	.225	.091	17200	1.234		.103		1.17	2890	N1460/0131
N1460/0137	1 3/8	.093		1.268		1.83	.200	.225	.091	18000	1.291		.103		1.26	3260	N1460/0137
N1460/0150	1 1/2	.109		1.380		1.94	.205	.215	.107	19000	1.406		.120		1.41	3990	N1460/0150
N1460/0156	1 5/8	.109		1.437		2.00	.205	.215	.098	20000	1.468		.120		1.41	4150	N1460/0156
N1460/0175	1 3/4	.109		1.608	+0.013	2.18	.205	.215	.098	22500	1.650	+0.003	.120		1.50	4950	N1460/0175
N1460/0193	1 15/16	.125	+0.004	1.782	-0.020	2.47	.256	.264	.123	28500	1.826	-0.004	.139	+0.006	1.78	6140	N1460/0193
N1460/0200	2	.125	-0.004	1.840		2.53	.256	.265	.123	29500	1.880		.139	-0.000	1.80	6780	N1460/0200

Standard Material - Carbon Spring Steel.

Standard Finish - Phosphate and Oil.

CIRCLIPS AND RETAINING RINGS